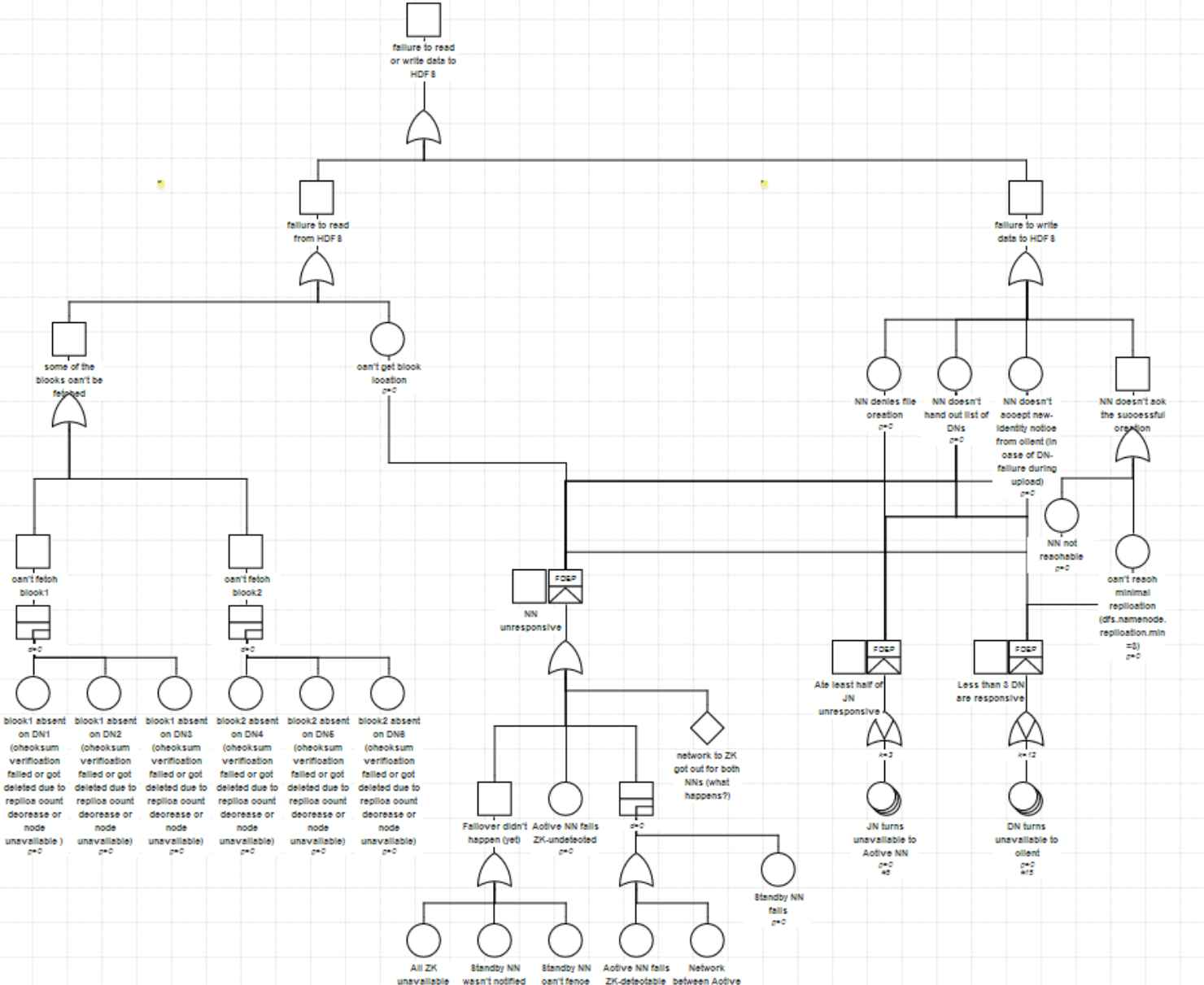


# Dependable Systems

## Assignment 3: Feedback

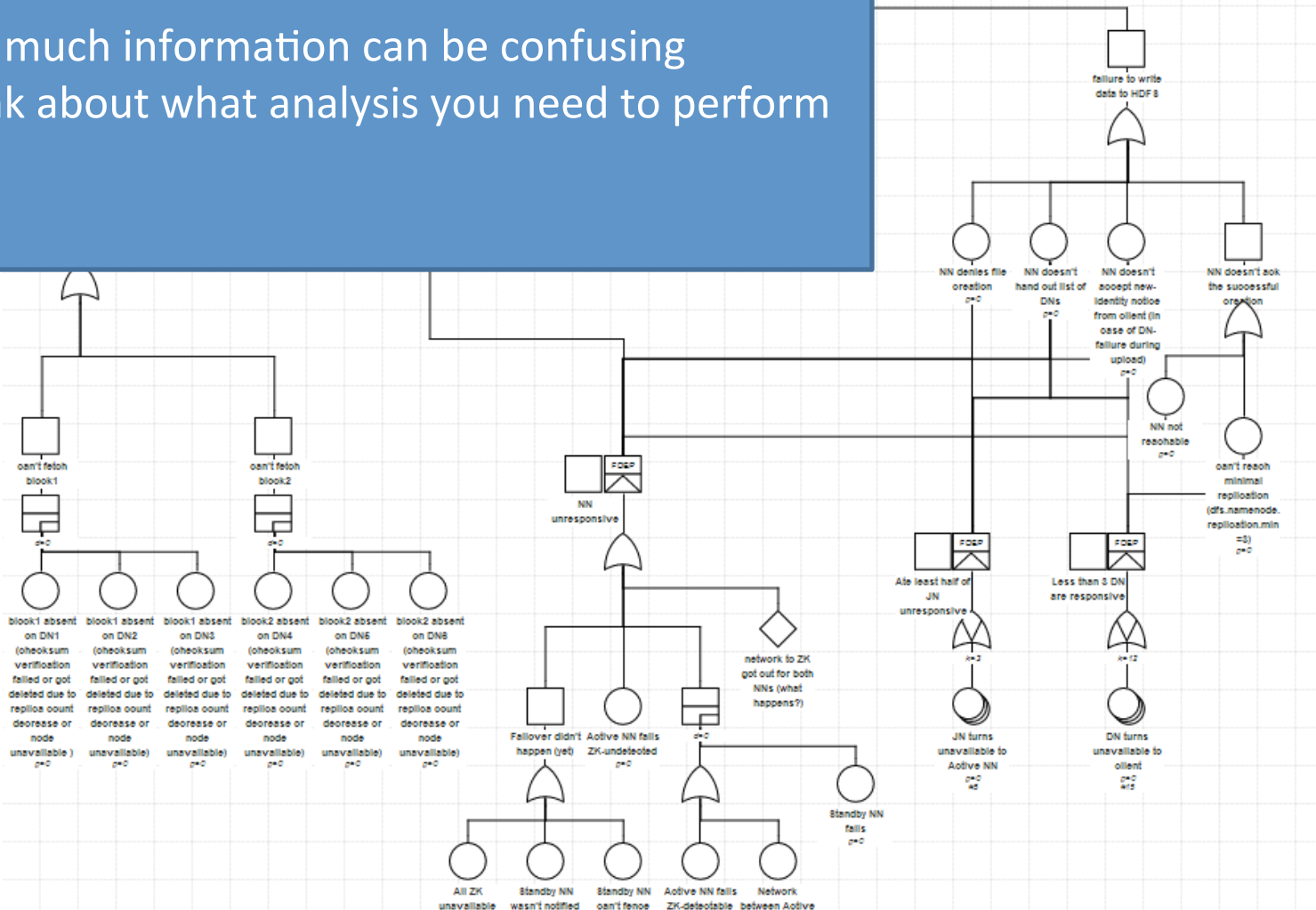
Anton Gulenko

# Is this helpful for qualitative analysis?

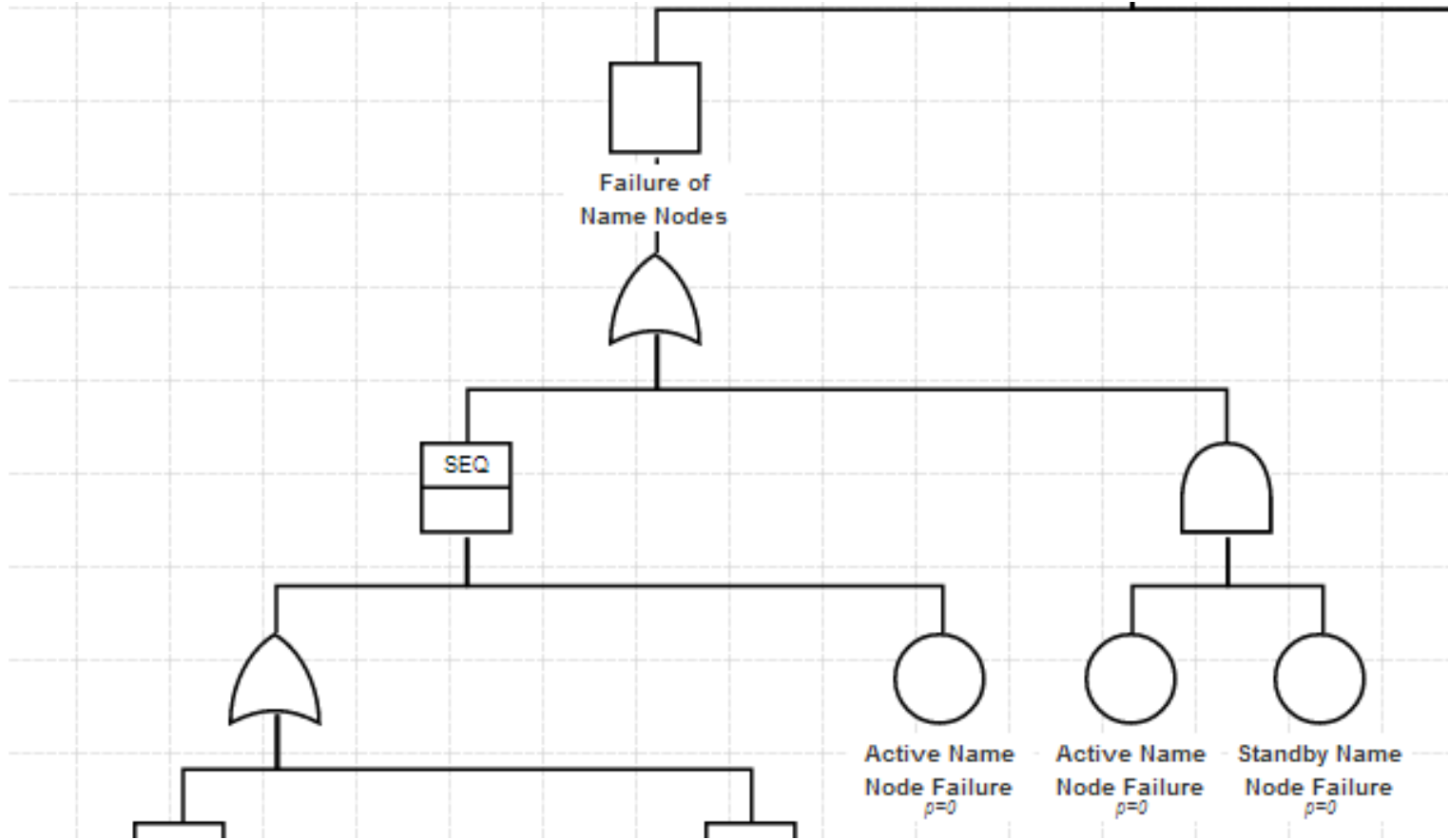


# Is this helpful for qualitative analysis?

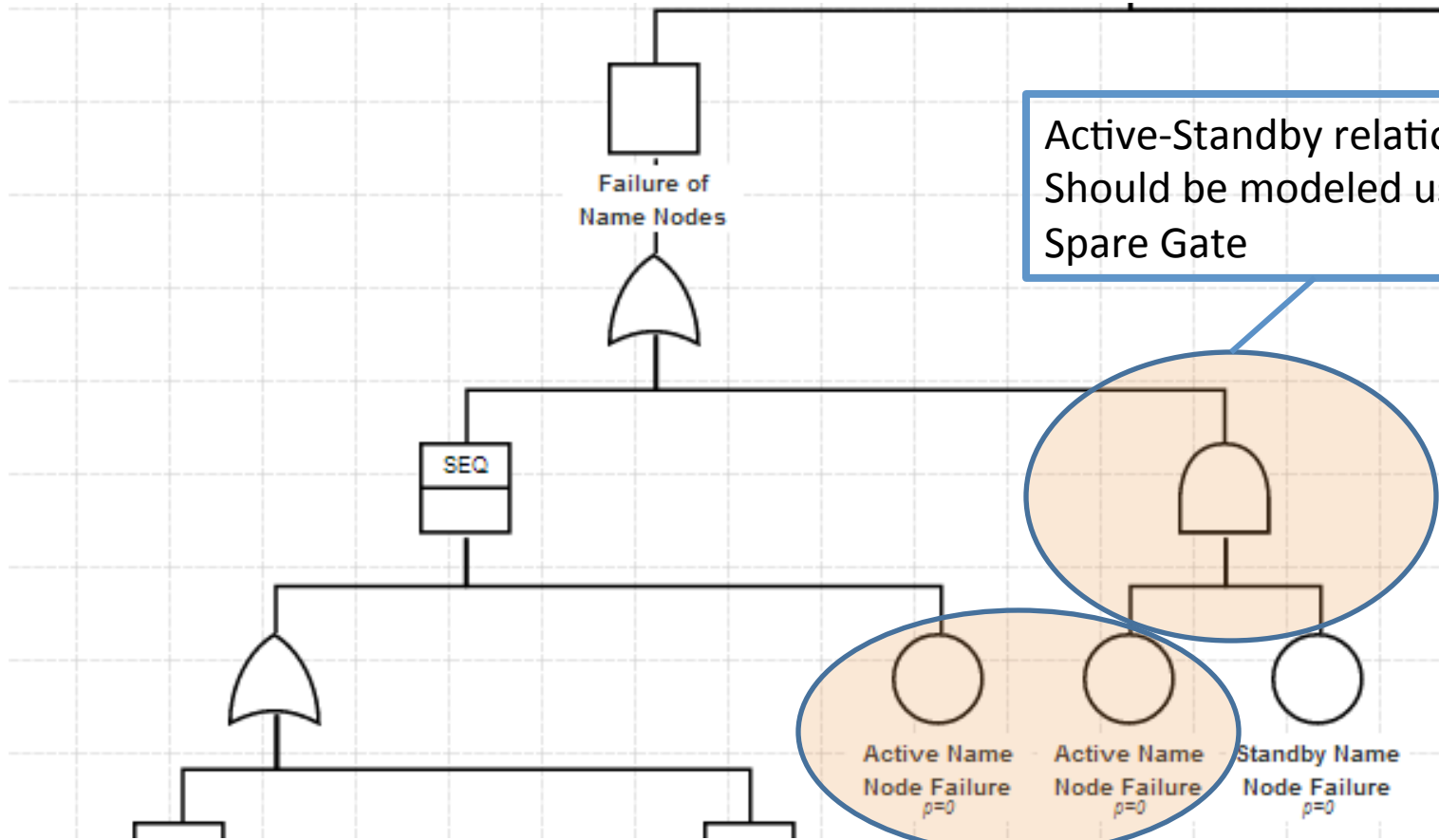
- Too much information can be confusing
- Think about what analysis you need to perform



# Problems?



# Problems?



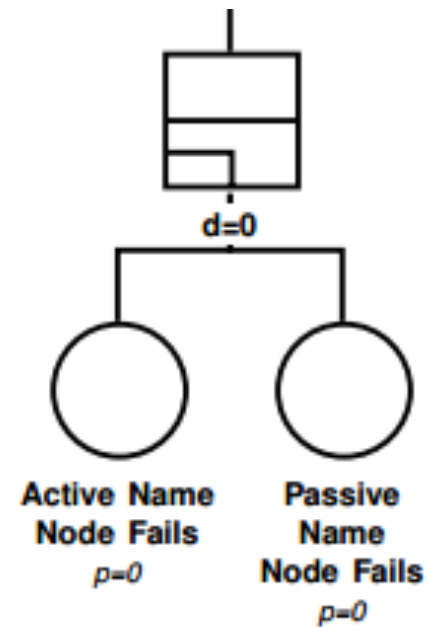
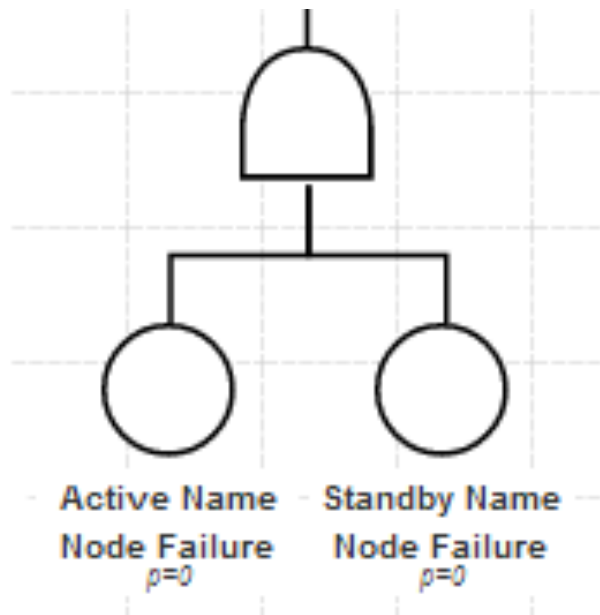
Active-Standby relationship  
Should be modeled using a  
Spare Gate

Active Name Node Failure  $\rho=0$   
Active Name Node Failure  $\rho=0$   
Standby Name Node Failure  $\rho=0$

Incorrect: two basic events  
covering the same physical  
component. Use FDEP gate.

# Solutions

Active-Standby relationship  
Should be modeled using a  
Spare Gate



# Solutions

Incorrect: two basic events covering the same physical component

